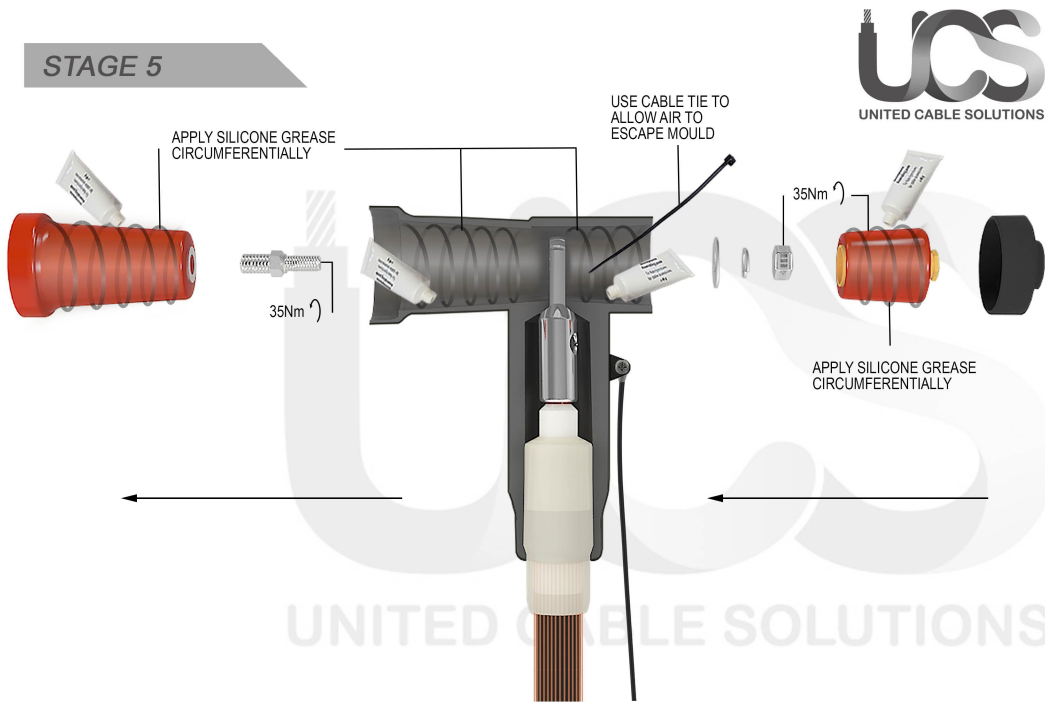


**STAGE 5**



**STAGE 6**



HS - UM - 014



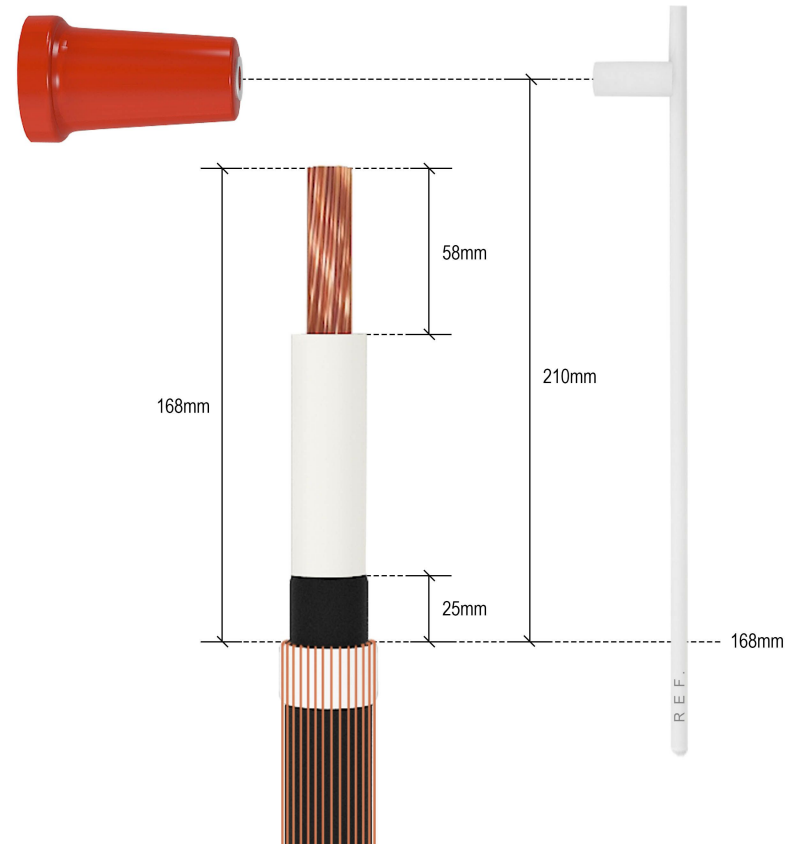
CONTACT  
 TECHNICAL ENQUIRES  
 JONO@JBJS.COM.AU

6.35/11 KV

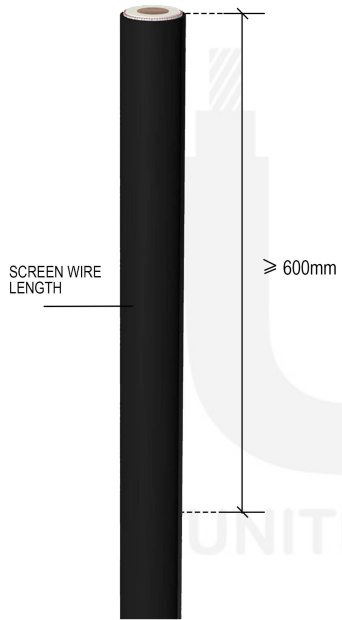
630A

FULLY SCREENED SEPARABLE CONNECTOR  
**TERMINATION GUIDE**

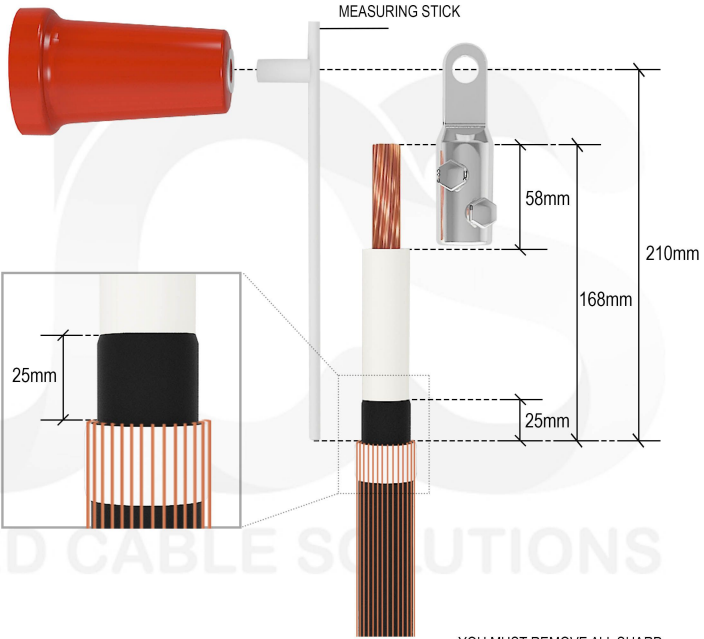
**SUMMARY**



### CABLE PREP



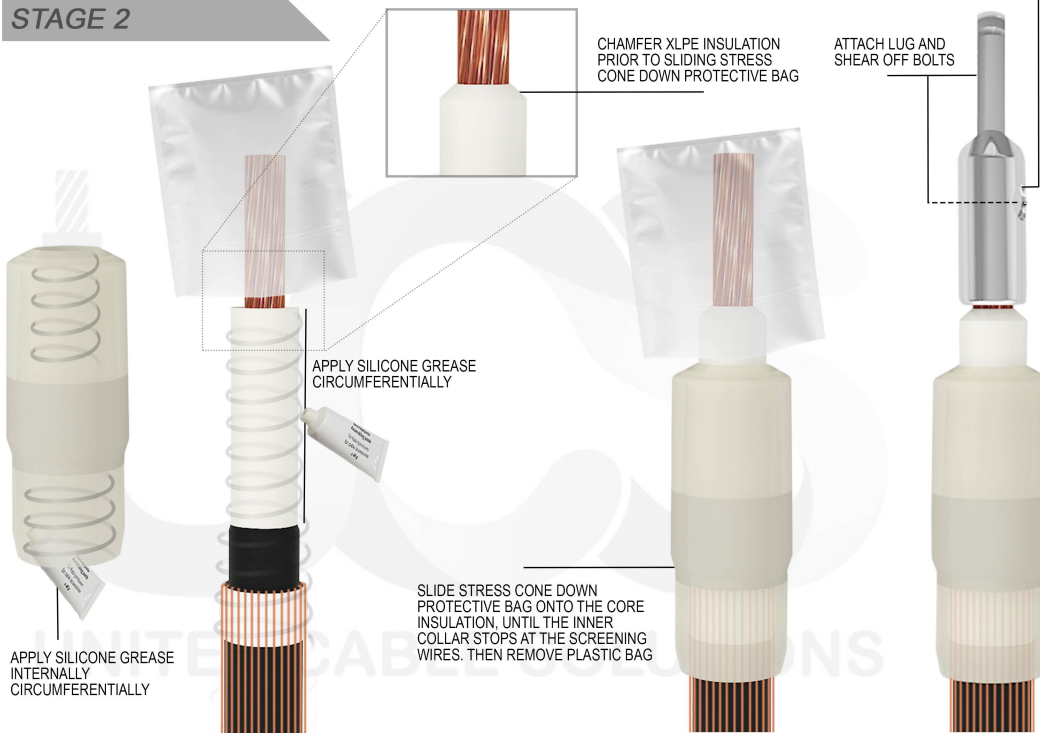
### STAGE 1



### STAGE 3



### STAGE 2



### STAGE 4

