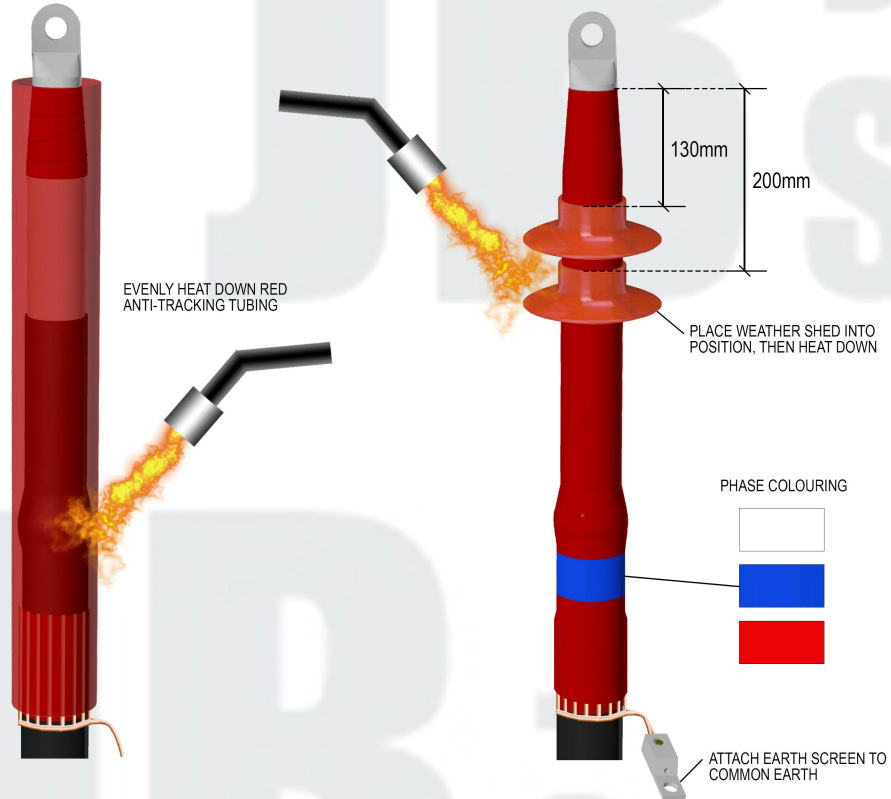


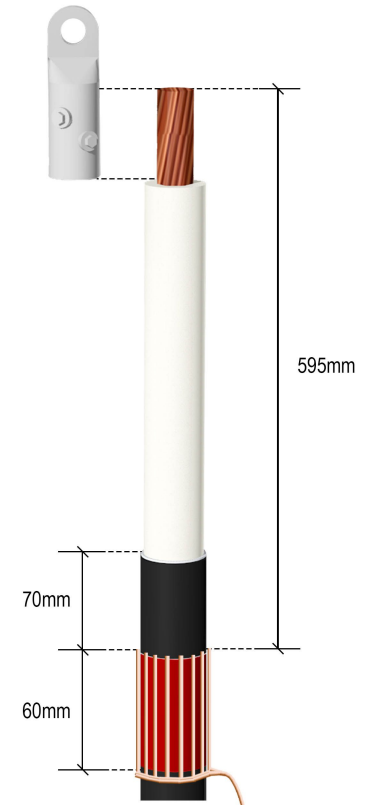
STAGE 8

STAGE 9

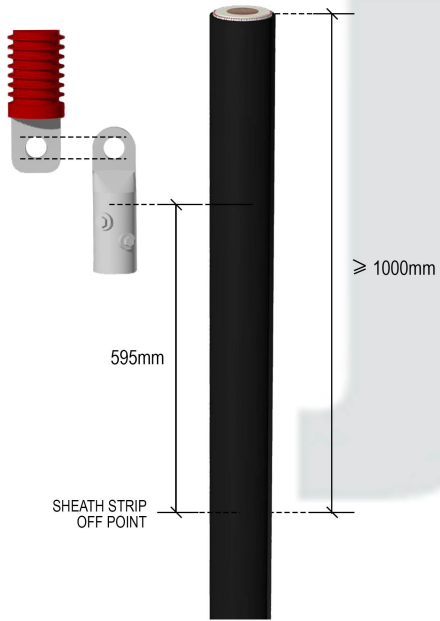


19 / 33 KV  
800A  
16 - 630mm<sup>2</sup> Cu / Al  
INDOOR TERMINATION  
**TERMINATION GUIDE**

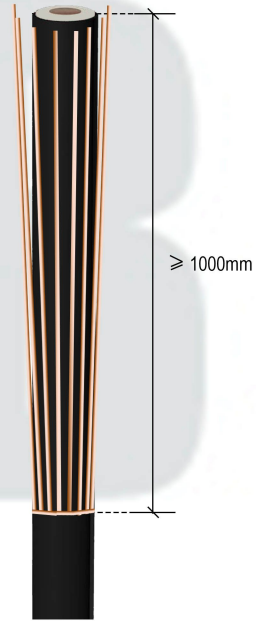
SUMMARY



### CABLE PREP



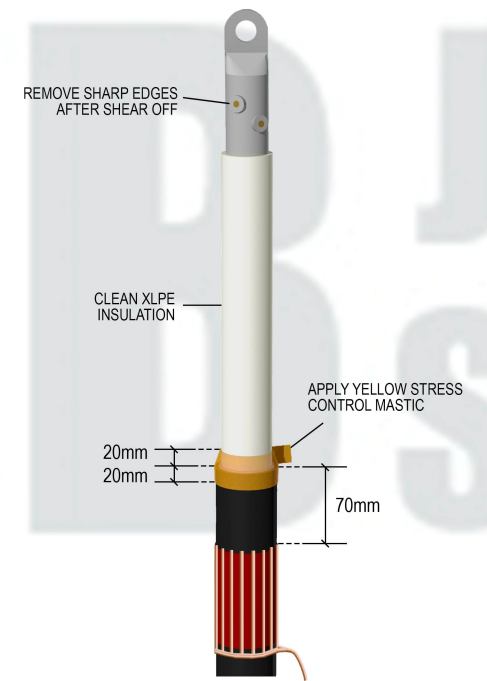
### STAGE 1



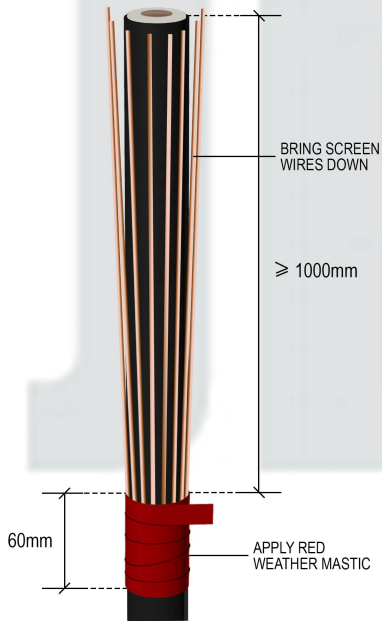
### STAGE 4



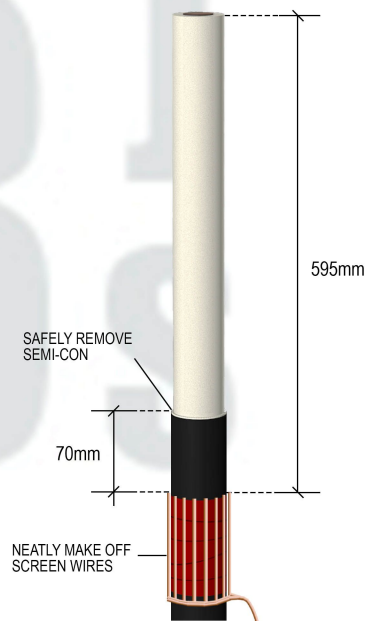
### STAGE 5



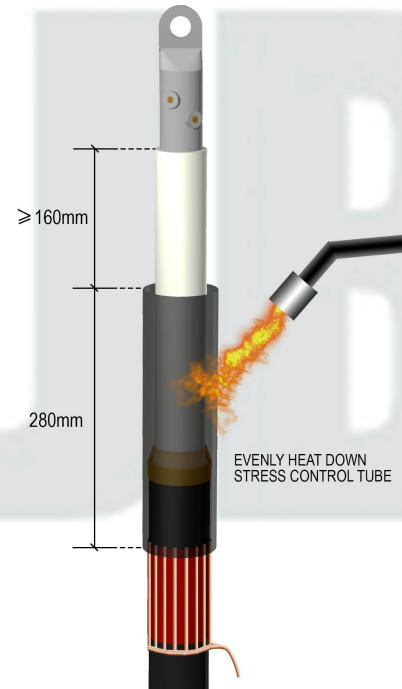
### STAGE 2



### STAGE 3



### STAGE 6



### STAGE 7

